

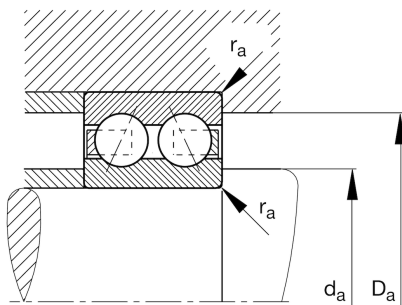
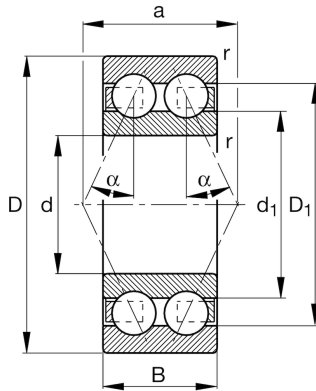
FAG

3200-BB-TVH

Angular contact ball bearing

Schaeffler ID:
0205032370000Angular contact ball bearing 32..-B-TVH,
double row, plastic cage

Technical information

**Main Dimensions & Performance Data**

d	10 mm	Bore diameter
D	30 mm	Outside diameter
B	14 mm	Width
C_r	7.800 N	Basic dynamic load rating, radial
C_{0r}	4.450 N	Basic static load rating, radial
C_{ur}	233 N	Fatigue load limit, radial
n_G	28.000 1/min	Limiting speed
n_{gr}	21.000 1/min	Reference speed
	0,049 kg	Weight

Dimensions

r_{min}	0,6 mm	Minimum chamfer dimension
D_1	23 mm	Shoulder diameter outer ring
d_1	16,6 mm	Shoulder diameter inner ring
a	14,8 mm	Distance between the apexes of the pressure cones
α	25 °	Contact angle

Mounting dimensions

$d_{a min}$	14,2 mm	Minimum diameter shaft shoulder
$D_{a max}$	25,8 mm	Maximum diameter of housing shoulder
$r_{a max}$	0,6 mm	Maximum fillet radius

Temperature range

T_{min}	-30 °C	Operating temperature min.
T_{max}	120 °C	Operating temperature max.